

SARP®



A partir de 2012

**DÉBROUSSAILLEUSES
À ROUES**

DE513B-DE513S*

Transmission à 1 vitesse

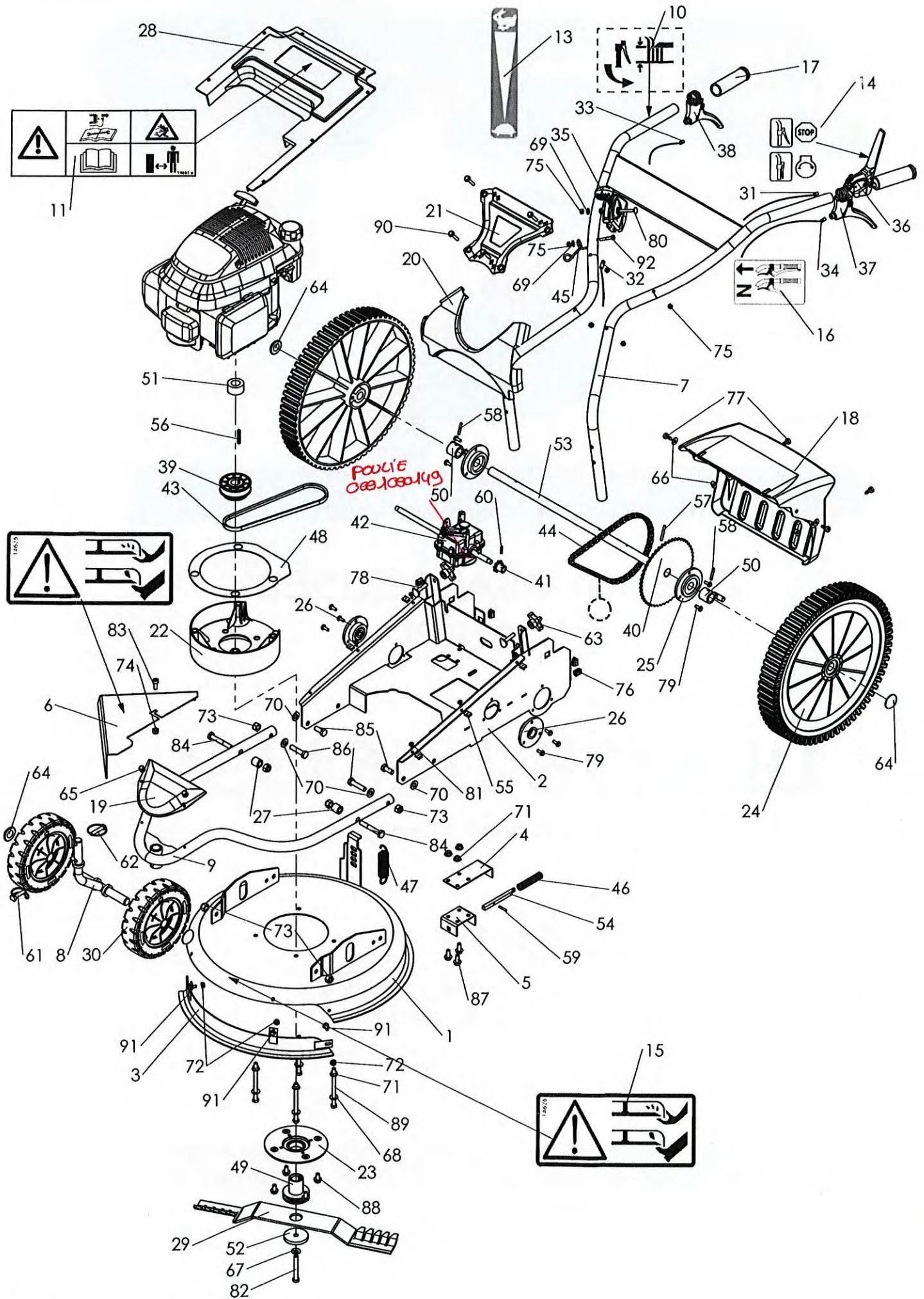
Page 1 à 3

Moteur Briggs & Stratton Séries 675

* Moteur SUBARU EA 190V

*Subaru EA190V75010.
EA190-1137688 avec bulle d'amorçage.*

DE513B-DE513S



DEBROUSSAILLEUSES A ROUES SARP DE513B - DE513S 2012

(MOTEUR BRIGGS & STRATTON 675 Séries - SUBARU EA 190V)

N°	Références	Désignations	Qté	N°	Références	Désignations	Qté
1	4002060503	COUPELLE GRISE 51 CM	1	48	0304000313	ENTRETOISE MOTEUR Ep 1.5	1
2	4002091301	CHASSIS ARRIERE ROUGE	1	49	0302030047	MOYEU DE LAME	1
3	4002000505	DEFLECTEUR AVANT GRIS	1	50	0302030014	MOYEU DE ROUE ARRIERE	2
4	4002040104	SUP. VERROUIL. RELEVAGE	1	51	0302020046	ENTRETOISE MOTEUR	1
5	4002000102	SUPPORT AXE RELEVAGE	1	52	0302020042	RONDELLE DE LAME	1
6	4002000504	DEFLECTEUR LATERAL GRIS	1	53	0302010091	ARBRE DE ROUE ARRIERE	1
7	4002090302	GUIDON NOIR	1	54	0302010030	AXE DE RELEVAGE	1
8	4002000308	SUP. ROUE AVANT DOUBLE	1	55	0301050001	CLIPS PRESTOLE 4.2 Ep 4	5
9	4002090303	CHASSIS AVANT NOIR	1	56	0301040001	CLAVETTE 4.76x4.76x40	1
10	0503000055	ETIQ. HAUTEUR DE COUPE	1	57	0301020005	GOUPILLE HBK 5x40	1
11	0503000049	ETIQ. LIRE MANUEL	1	58	0301020004	GOUPILLE HBK 5x30	2
13	0503000043	ETIQ. DE GAZ SANS STOP	1	59	0301020002	GOUPILLE HBK 4x24	1
14	0503000026	ETIQ. COUPE CIRCUIT	1	60	0301020001	GOUPILLE HBK 4x20	1
15	0503000006	ETIQ. DANGER LAME	2	61	0301010013	GOUPILLE CLIPS 8x36	1
16	0503000002	ETIQ. D'EMBRAYAGE	1	62	0301010009	GOUPILLE CLIPS 8x42 ZING.	1
17	0341000037	POIGNEE DE GUIDON	2	63	0300800801	MOLETTE NOIRE DE GUIDON	2
18	0340030047	CAPOT ARRIERE ROUGE	1	64	0300702001	ENJOLIVEUR DE ROUE Ø20	4
19	0340030052	CAPOT CHASSIS AVANT	1	65	0300500501	RIVET 4.8x16 DE CAPOT	2
20	0340030048	CAPOT INF. GUIDON ROUGE	1	66	0300470501	RONDELLE NOIRE PA6.6	4
21	0340030049	CACHE CENTRAL GUIDON	1	67	0300431001	RONDELLE CONTACT 10 BIC	1
22	0340030034	REHAUSSE MOTEUR	1	68	0300430801	RONDELLE CONTACT 8	4
23	0340030028	PALIER DE COUPELLE	1	69	0300430601	RONDELLE CONTACT 6 BIC	3
24	0340030015	ROUE ARRIERE GRISE Ø420	2	70	0300401002	RONDELLE PLATE M10x22x2	4
25	0340030013	PALIER ARBRE ROUE Ø20	2	71	0300260801	ECROU H M8 Z EMBASE CR	7
26	0340030012	PALIER ARBRE INTERMEDIA.	2	72	0300260601	ECROU H M6 Z EMBASE CR	3
27	0340030010	ENTRETOISE 10.5x20 Lg 21	2	73	0300211001	ECROU FREIN M10 Z	6
28	0340030001	CAPOT MOTEUR NOIR	1	74	0300210802	ECROU FREIN M8 Z	1
29	0320020006	LAME Lg 510	1	75	0300210602	ECROU FREIN M6 Z	7
30	0309000033	ROUE AVANT Ø200 ALES.20	2	76	0300130502	ECROU ACIER 14x16	4
31	0308050015	CABLE FREIN MOTEUR	1	77	0300130501	VIS PLAST. 1/4 TR D16 H5 d5	4
32	0308040050	CABLE DE GAZ Lg1050	1	78	0300090802	VIS M8x40 Z TETE EMBOUTIE	2
33	0308030008	CABLE DE HAUTEUR Lg1180	1	79	0300090602	VIS AUTOTARAUDEUSE 6x16	12
34	0308020062	CABLE EMBRAYAGE Lg1210	1	80	0300080610	VIS TRCC 6x45/20Z	1
35	0307020023	MANETTE DE GAZ	1	81	0300080405	VIS TOLE POZI Cr 4.2x16 Z	5
36	0307010023	LEVIER FREIN MOTEUR	1	82	0300060304	VIS 3/8 TH24 UNF Lg 70 Z	1
37	0307010021	LEVIER D'EMBRAYAGE	1	83	0300020804	VIS CHC 8x20 Z	1
38	0307010020	LEVIER DE HAUTEUR	1	84	0300011011	VIS H10x70/26 Z	2
39	0306060014	POULIE MOTEUR VARIATRICE	1	85	0300011008	VIS H10x25 Z	2
40	0306050029	PIGNON 60 DTS ALES.20	1	86	0300011005	VIS H10x45Z	2
41	0306050028	PIGNON 9 DTS ALES.12	1	87	0300010816	VIS H8x20 Z EMBASE CR	3
42	0306040012	REDUCTEUR 1 VITESSE	1	88	0300010815	VIS H8x16 Z EMBASE CR	4
43	0306030048	COURROIE 6207MC	1	89	0300010304	VIS H M3x110/22 Z	2
44	0306020020	CHAINE PAS 9.525 75M	1		0300010845	VIS H M3x140/22 Z	2
45	0305030001	ACCROCHE POIGNEE	1	90	0300010621	VIS H6x45 Z EMBASE CR	4
46	0305020001	RESSORT 13.5x75 16/10	1	91	0300010609	VIS H6x16 Z EMBASE CR	3
47	0305010009	RESSORT HAUTEUR 35/10	1	92	0300010604	VIS H6x35 Z	1



PARTS CATALOGUE

MA19075010 (7JDB) FRA



1T7JD-300EV

()

MA19075010
PARTS CATALOGUE
©2018 by Yamaha Motor Co., Ltd.
1st edition, September 2018
All rights reserved.
Any reprinting or unauthorized use
without the written permission of
Yamaha Motor Co., Ltd.
is expressly prohibited.
Printed in Japan.

FOREWORD

This Parts Catalogue is related to the parts for the model(s) on the cover page. When you are ordering replacement parts, please refer to this Parts Catalogue and quote both part numbers and part names correctly.

6. The asterisk (*) before a reference number indicates modified items after the first edition.

1. Modifications or additions which have been made after the issue of the Parts Catalogue will be announced in the Parts News.
It is advisable that you make the necessary corrections to the Parts Catalogue according to the Parts News.

2. Abbreviations

The following abbreviations are used in this Parts Catalogue.

"UR" Use specified parts number.

"UN" Use as many as needed.

"AP" Alternate Parts

"LM" Locally Made (Parts need to be ordered locally)

"F#" Frame No. (Applicable machine No.)

"O/S" Over Size

3. The number of components for assembly

- Parts, which are to be supplied in an assembly, are listed with a dot (.) in front of the part name as shown below.
- The numeral appearing to the right of each component part indicates the quantity of parts for each assembly unit.

PART NO.	DESCRIPTION	Q'TY	REMARKS
2F5-83310-60	FRONT FLASHER LIGHT ASSY	2	
115-83311-60	.BULB (6V-18W)	1	

4. Applicable colours of graphics are represented in the "REMARKS" as shown below.

PART NO.	DESCRIPTION	Q'TY	REMARKS
2N4-24110-00-X5	FUEL TANK COMP.	2	MXR
3J1-24240-10	.GRAPHIC, FUEL TANK	1	FOR MXR

5. Note that the illustrations for reference in finding parts numbers are not to be used for assembling. When assembling, please use the applicable service manual.

FOREWORD

Engine Serial No.

This parts catalogue is related to the parts for the models in the list below.

MODEL CODE	MODEL NAME	SPECIFICATION (OUT LINE)	ENGINE SERIAL NO.
7JDB	MA19075010	VERTICAL SHAFT FOR LAWNMOWER	7JDB-6000101

CONTENTS

CYLINDER.....	1
CRANKSHAFT & PISTON.....	2
GOVERNOR.....	3
CAMSHAFT & VALVE.....	4
AIR SHROUD & STARTER.....	5
INTAKE.....	6
EXHAUST.....	7
CRANKCASE.....	8
FUEL TANK.....	9
ELECTRICAL.....	10
EMBLEM & LABEL.....	11

INDEX

NUMERICAL INDEX.....	12
----------------------	----

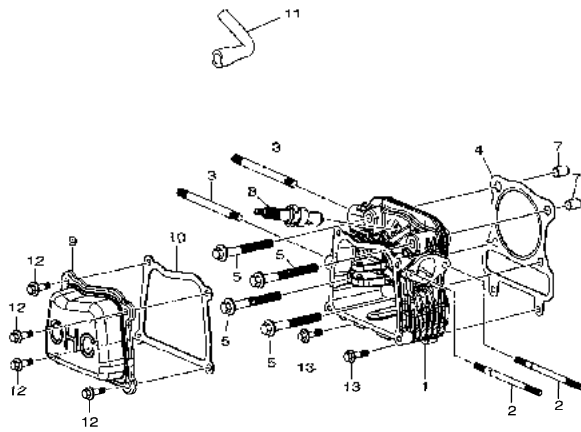
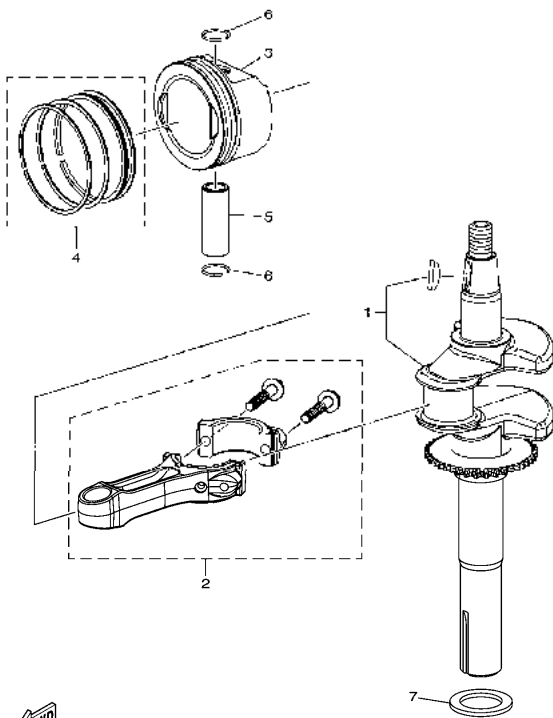


FIG. 1 CYLINDER

REF. NO.	PART NO.	DESCRIPTION	7JDB			REMARKS
1	7JD-E1111-00	HEAD, CYLINDER 1	1			
2	7JD-E1391-00	BOLT, STUD 1	2			
3	7JD-E1392-00	BOLT, STUD 2	2			
4	7JD-E1181-00	GASKET, CYLINDER HEAD 1	1			
5	7JD-E1361-00	BOLT, CYLINDER HOLDING 1	3			
6	7JD-E1362-00	BOLT, CYLINDER HOLDING 2	1			
7	7JD-E5181-20	PIN, DOWEL	2			
8	7JD-E119C-10	PLUG, SPARK	1			
9	7JD-E1191-00	COVER, CYLINDER HEAD 1	1			
10	7JD-E1193-00	GASKET, HEAD COVER 1	1			
11	7JD-E531A-00	HOSE, BREATHER 1	1			
12	7JD-RA102-00	BOLT, FLANGE	4			
13	7JD-RA102-10	BOLT, FLANGE	2			



 7JDA305-S020

FIG. 2 CRANKSHAFT & PISTON

REF. NO.	PART NO.	DESCRIPTION	7JDB	REMARKS
1	7JD-E1411-00	CRANKSHAFT	1	
2	7JD-E1650-00	CONNECTING ROD ASSY	1	
3	7JD-E1631-00	PISTON (STD)	1	
4	7JD-E1610-00	PISTON RING SET (STD)	1	
5	7JD-E1633-00	PIN, PISTON	1	
6	7JD-E1634-00	CLIP, PISTON PIN	2	
7	7JD-RA400-00	WASHER, PLAIN	1	

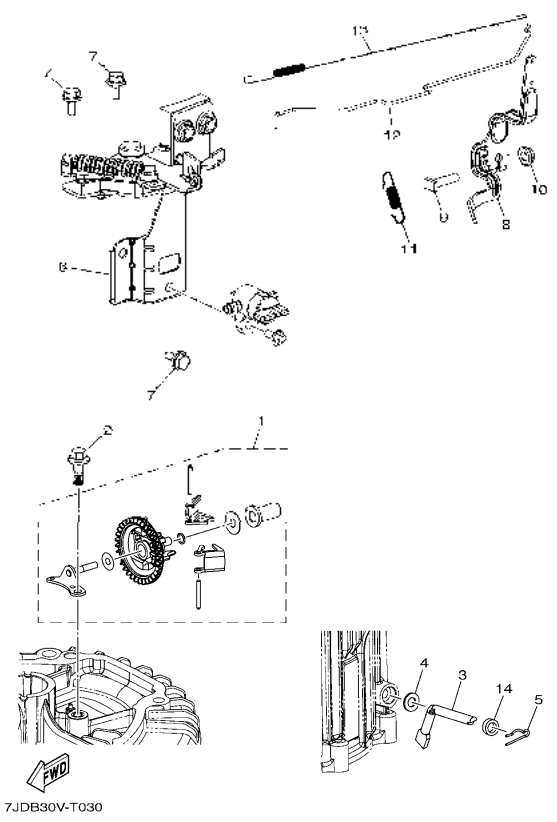
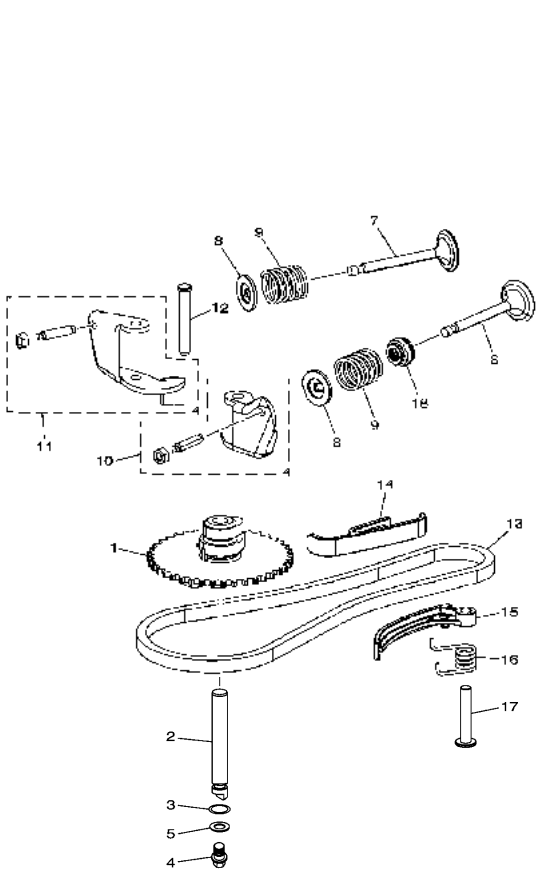


FIG. 3 GOVERNOR

REF. NO.	PART NO.	DESCRIPTION	7JDB			REMARKS
1	7JD-E1970-00	FLYWEIGHT SHAFT ASSY	1			
2	7JD-RA102-20	BOLT, FLANGE	1			
3	7JD-E1922-00	FORK, GOVERNOR	1			
4	7JD-RA400-10	WASHER, PLAIN	1			
5	7JD-E4139-00	CLIP, PIPE	1			
6	7JD-R2630-10	SPEED CONTROL ASSY	1			
7	7JD-RA102-00	BOLT, FLANGE	3			
8	7JD-E1924-00	ARM, GOVERNOR	1			
9	7JD-R4041-00	SCREW,BIND	1			
10	7JD-RA309-00	NUT	1			
11	7JD-E8226-40	SPRING, GOVERNOR	1			
12	7JD-E1928-00	ROD, LINK	1			
13	7JD-RAD01-00	SPRING, TENSION 1	1			
14	7JD-RAE01-20	SEAL, OIL	1			

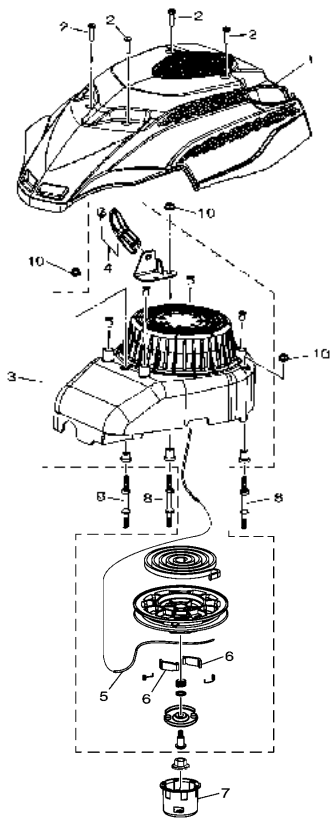




 7JDA30V-S040

FIG. 4 CAMSHAFT & VALVE

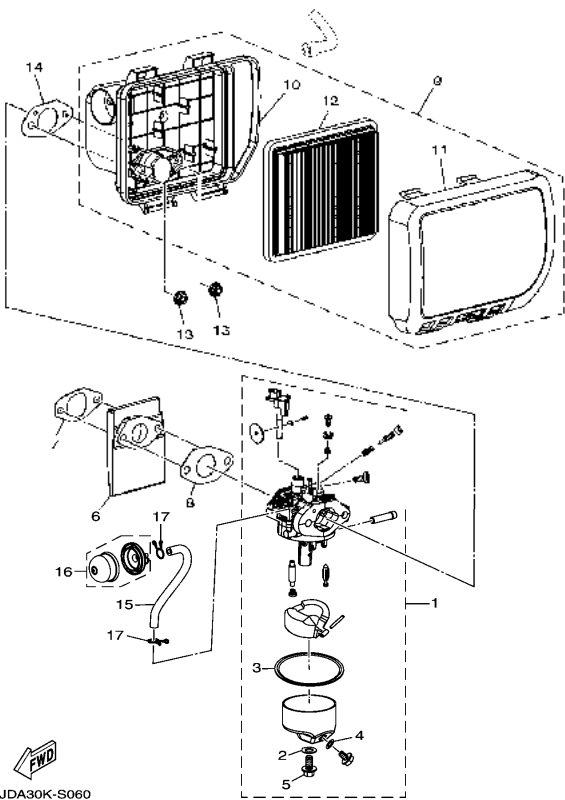
REF. NO.	PART NO.	DESCRIPTION	7JDB				REMARKS
1	7JD-E2170-00	CAMSHAFT ASSY 1	1				
2	7JD-R2483-00	CAM, SHAFT	1				
3	7JD-R1327-00	GASKET,1	1				
4	7JD-RA102-30	BOLT, FLANGE	1				
5	7JD-RA400-30	WASHER, PLAIN	1				
6	7JD-E2111-00	VALVE, INTAKE	1				
7	7JD-E2121-00	VALVE, EXHAUST	1				
8	7JD-E2117-00	RETAINER, VALVE SPRING	2				
9	7JD-E1815-00	SPRING, VALVE	2				
10	7JD-E2150-00	VALVE ROCKER ARM ASSY	1				
11	7JD-E2160-00	VALVE ROCKER ARM ASSY 2	1				
12	7JD-E2146-00	SHAFT, ROCKER	1				
13	7JD-E1456-00	CHAIN, PRIMARY	1				
14	7JD-E2231-00	GUIDE, STOPPER 1	1				
15	7JD-R2441-00	ARM, TENSIONER	1				
16	7JD-E6146-00	SPRG., TENSIONER	1				
17	7JD-E1499-00	SHAFT, TENSIONER	1				
18	7JD-E2119-00	SEAL, VALVE STEM	1				



 7JDA30V-S050

FIG. 5 AIR SHROUD & STARTER

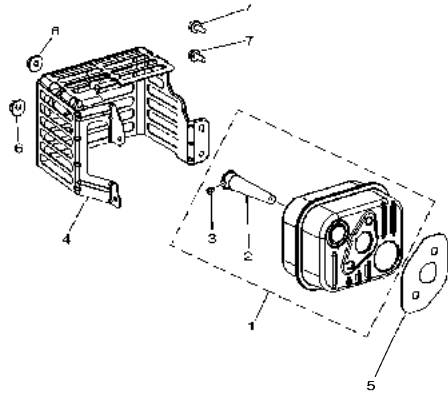
REF. NO.	PART NO.	DESCRIPTION	7JDB			REMARKS
1	7JD-E262E-80	SHROUD, 2	1			
2	7JD-RA204-10	SCREW	4			
3	7JD-E5710-00	STARTER ASSY	1			
4	7JD-E5755-00	.HANDLE, STARTER	1			
5	7JD-E5781-00	.ROPE	1			
6	7JD-E5741-00	.PAWL, DRIVE	2			
7	7JD-E5723-00	PULLEY, STARTER	1			
8	7JD-RA124-00	BOLT, STUD	2			
9	7JD-RA124-10	BOLT, STUD	1			
10	7JD-RA309-00	NUT	3			



 7JDA30K-S060

FIG. 6 INTAKE

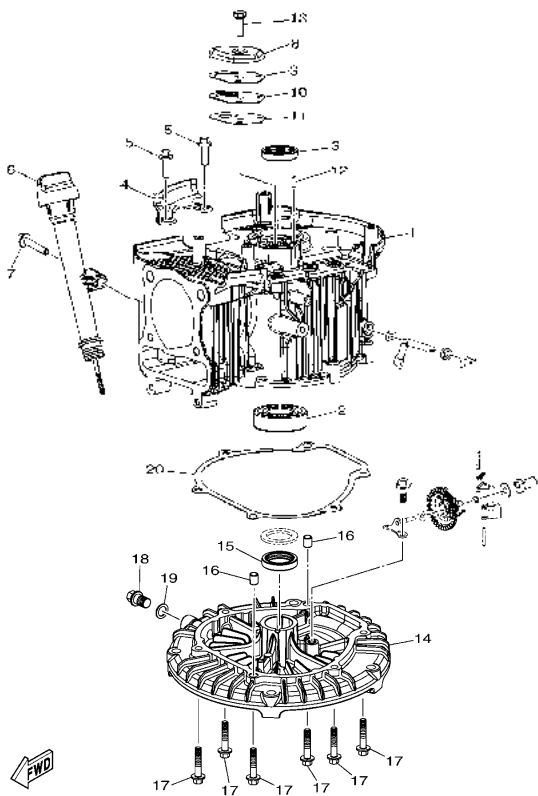
REF. NO.	PART NO.	DESCRIPTION	7JDB			REMARKS
1	7JD-E4301-30	CARBURETOR ASSY 1	1			
2	7JD-R1167-00	.GASKET, DRAIN	1			
3	7JD-E4184-00	.GASKET, FLOAT CHAMBER	1			
4	7JD-R1327-00	.GASKET,1	1			
5	7JD-E3917-00	.BOLT, DRAIN	1			
6	7JD-E3596-10	JOINT, CARBURETOR 2	1			
7	7JD-E3557-00	GASKET	1			
8	7JD-E3567-00	GASKET	1			
9	7JD-E4410-30	AIR CLEANER ASSY.	1			
10	7JD-E4411-10	.CASE, AIR CLEANER 1	1			
11	7JD-E4412-30	.CAP, CLEANER CASE 1	1			
12	7JD-E4451-00	.ELEMENT, AIR CLEANER	1			
13	7JD-RA309-00	NUT	2			
14	7JD-E4416-00	GASKET, AIR CLEANER	1			
15	7EB-R1385-00	PIPE	1			
16	7EB-R1110-00	PUMP ASSY	1			
17	7EB-RAB00-00	CLAMP, 1	2			




7JDA30K-S070

FIG. 7 EXHAUST

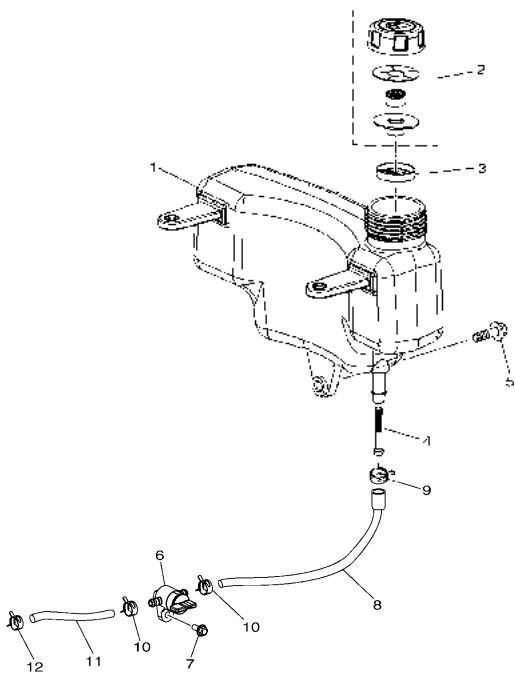
REF. NO.	PART NO.	DESCRIPTION	7JDB			REMARKS
1	7JD-E4710-00	MUFFLER ASSY 1	1			
2	7JD-E4786-00	.ARRESTER, SPARK	1			
3	7JD-RA204-30	.SCREW	1			
4	7JD-E4708-10	PROTECTOR ASSY	1			
5	7JD-E4613-00	GASKET, EXHAUST PIPE	2			
6	7JD-RA309-10	NUT	2			
7	7JD-RA102-00	BOLT, FLANGE	2			



7JDB30A-T080

FIG. 8 CRANKCASE

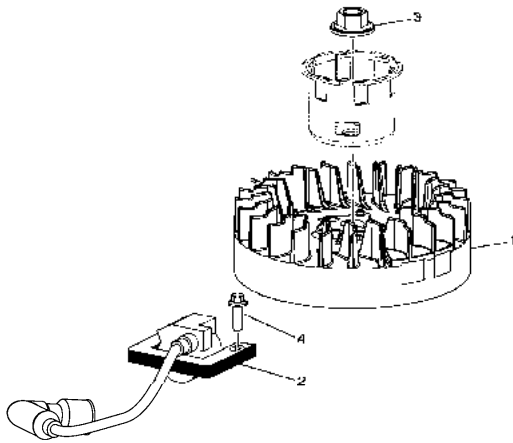
REF. NO.	PART NO.	DESCRIPTION	7JDB				REMARKS
1	7JD-E5111-00	CRANKCASE 1	1				
2	7JD-RAG02-00	BEARING	1				
3	7JD-RAE01-10	SEAL, OIL	1				
4	7JD-E4604-00	COVER, AIR 1	1				
5	7JD-RA102-40	BOLT, FLANGE	2				
6	7JD-E5362-30	PLUG, OIL LEVEL	1				
7	7JD-RA102-60	BOLT, FLANGE	1				
8	7JD-E1168-00	COVER, BREATHER	1				
9	7JD-E5374-00	GASKET, BREATHER	1				
10	7JD-E5346-00	BREATHER 1	1				
11	7JD-E5374-10	GASKET, BREATHER	1				
12	7JD-E5181-00	PIN, DOWEL	1				
13	7JD-RA102-50	BOLT, FLANGE	1				
14	7JD-E5411-00	COVER, CRANKCASE 1	1				
15	7JD-RAE01-00	SEAL, OIL	1				
16	7JD-E5181-10	PIN, DOWEL	2				
17	7JD-RA102-60	BOLT, FLANGE	6				
18	7JD-E5363-00	PLUG, OIL	1				
19	7JD-RA400-20	WASHER, PLAIN	1				
20	7JD-E5451-00	GASKET, CRANKCASE COVER 1	1				



 7JDB30V-T090

FIG. 9 FUEL TANK

REF. NO.	PART NO.	DESCRIPTION	7JDB				REMARKS
1	7JD-F4110-20	FUEL TANK COMP.	1				
2	7JD-F4610-00	CAP ASSY	1				
3	7JD-F4167-20	STRAINER	1				
4	7JD-F4514-00	NET, FILTER 1	1				
5	7JD-RA102-10	BOLT, FLANGE	1				
6	7JD-F4500-10	FUEL COCK ASSY 1	1				
7	7JD-RA102-80	BOLT, FLANGE	1				
8	7JD-RA905-10	HOSE, 1	1				
9	7JD-RAB00-00	CLAMP, 1	1				
10	7JD-RAB00-10	CLAMP, 1	2				
11	7JD-RA905-00	HOSE, 1	1				
12	7JD-RAB00-20	CLAMP, 1	1				

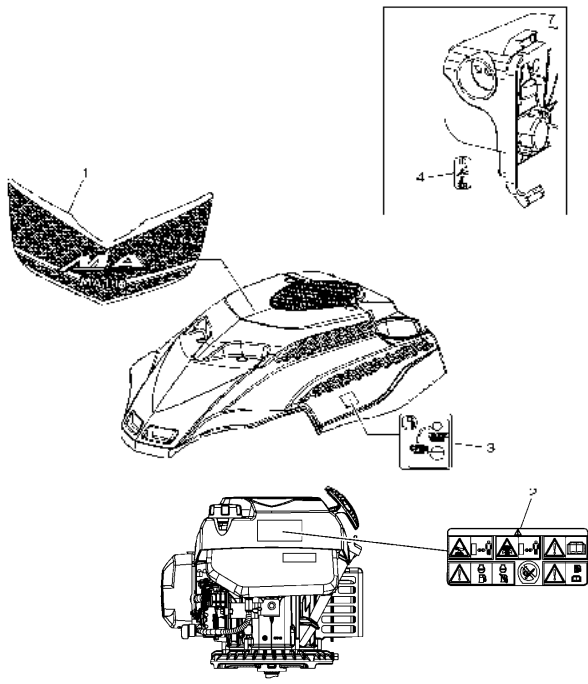




 7JDA30V-S100

FIG. 10 ELECTRICAL

REF. NO.	PART NO.	DESCRIPTION	7JDB			REMARKS
1	7JD-H5650-10	ROTOR ASSY	1			
2	7JD-H5530-00	IGNITION COIL ASSY	1			
3	7JD-E1555-00	NUT, CRANKSHAFT 1	1			
4	7JD-RA102-10	BOLT, FLANGE	1			




7JDB30V-T110

FIG. 11 EMBLEM & LABEL

REF. NO.	PART NO.	DESCRIPTION	7JDB			REMARKS
1	7JD-E2629-00	EMBLEM	1			
2	7EB-R151A-00	LABEL,WARNING 1	1			
3	7JD-R151M-10	LABEL 2	1			
4	7EB-R3127-00	LABEL,4	1			
<hr/>						
<hr/>						
<hr/>						
<hr/>						
<hr/>						
<hr/>						
<hr/>						
<hr/>						
<hr/>						
<hr/>						

NUMERICAL INDEX

PART NO.	REF. NO.	PART NO.	REF. NO.	PART NO.	REF. NO.	PART NO.	REF. NO.	PART NO.	REF. NO.	PART NO.	REF. NO.
7JD-E1111-00	1 - 1	7JD-E4613-00	7 - 5	7JD-RA102-20	3 - 2						
7JD-E1168-00	8 - 8	7JD-E4708-10	7 - 4	7JD-RA102-30	4 - 4						
7JD-E1181-00	1 - 4	7JD-E4710-00	7 - 1	7JD-RA102-40	8 - 5						
7JD-E1191-00	1 - 9	7JD-E4786-00	7 - 2	7JD-RA102-50	8 - 13						
7JD-E1193-00	1 - 10	7JD-E5111-00	8 - 1	7JD-RA102-60	8 - 7						
7JD-E119C-10	1 - 8	7JD-E5181-00	8 - 12								
7JD-E1361-00	1 - 5	7JD-E5181-10	8 - 16	7JD-RA102-80	9 - 7						
7JD-E1362-00	1 - 6	7JD-E5181-20	1 - 7	7JD-RA124-00	5 - 8						
7JD-E1391-00	1 - 2	7JD-E531A-00	1 - 11	7JD-RA124-10	5 - 9						
7JD-E1392-00	1 - 3	7JD-E5346-00	8 - 10	7JD-RA204-10	5 - 2						
7JD-E1411-00	2 - 1	7JD-E5362-30	8 - 6	7JD-RA204-30	7 - 3						
7JD-E1456-00	4 - 13	7JD-E5363-00	8 - 18	7JD-RA309-00	3 - 10						
7JD-E1499-00	4 - 17	7JD-E5374-00	8 - 9								
7JD-E1555-00	10 - 3	7JD-E5374-10	8 - 11								
7JD-E1610-00	2 - 4	7JD-E5411-00	8 - 14	7JD-RA309-10	7 - 6						
7JD-E1631-00	2 - 3	7JD-E5451-00	8 - 20	7JD-RA400-00	2 - 7						
7JD-E1633-00	2 - 5	7JD-E5710-00	5 - 3	7JD-RA400-10	3 - 4						
7JD-E1634-00	2 - 6	7JD-E5723-00	5 - 7	7JD-RA400-20	8 - 19						
7JD-E1650-00	2 - 2	7JD-E5741-00	5 - 6	7JD-RA400-30	4 - 5						
7JD-E1815-00	4 - 9	7JD-E5755-00	5 - 4	7JD-RA905-00	9 - 11						
7JD-E1922-00	3 - 3	7JD-E5781-00	5 - 5	7JD-RA905-10	9 - 8						
7JD-E1924-00	3 - 8	7JD-E6146-00	4 - 16	7EB-RAB00-00	6 - 17						
7JD-E1928-00	3 - 12	7JD-E8226-40	3 - 11	7JD-RAB00-00	9 - 9						
7JD-E1970-00	3 - 1	7JD-F4110-20	9 - 1	7JD-RAB00-10	9 - 10						
7JD-E2111-00	4 - 6	7JD-F4167-20	9 - 3	7JD-RAB00-20	9 - 12						
7JD-E2117-00	4 - 8	7JD-F4500-10	9 - 6	7JD-RAD01-00	3 - 13						
7JD-E2119-00	4 - 18	7JD-F4514-00	9 - 4	7JD-RAE01-00	8 - 15						
7JD-E2121-00	4 - 7	7JD-F4610-00	9 - 2	7JD-RAE01-10	8 - 3						
7JD-E2146-00	4 - 12	7JD-H5530-00	10 - 2	7JD-RAE01-20	3 - 14						
7JD-E2150-00	4 - 10	7JD-H5650-10	10 - 1	7JD-RAG02-00	8 - 2						
7JD-E2160-00	4 - 11	7EB-R1110-00	6 - 16								
7JD-E2170-00	4 - 1	7JD-R1167-00	6 - 2								
7JD-E2231-00	4 - 14	7JD-R1327-00	4 - 3								
7JD-E2629-00	11 - 1		6 - 4								
7JD-E262E-50	5 - 1	7EB-R1385-00	6 - 15								
7JD-E3557-00	6 - 7	7EB-R151A-00	11 - 2								
7JD-E3567-00	6 - 8	7JD-R151M-10	11 - 3								
7JD-E3596-10	6 - 6	7JD-R2441-00	4 - 15								
7JD-E3917-00	6 - 5	7JD-R2483-00	4 - 2								
7JD-E4139-00	3 - 5	7JD-R2630-10	3 - 6								
7JD-E4184-00	6 - 3	7EB-R3127-00	11 - 4								
7JD-E4301-30	6 - 1	7JD-R4041-00	3 - 9								
7JD-E4410-30	6 - 9	7JD-RA102-00	1 - 12								
7JD-E4411-10	6 - 10		3 - 7								
7JD-E4412-30	6 - 11		7 - 7								
7JD-E4416-00	6 - 14	7JD-RA102-10	1 - 13								
7JD-E4451-00	6 - 12		9 - 5								
7JD-E4604-00	8 - 4		10 - 4								